

● RAEM



Features

RAEM is a universal mounting for applications demanding maximum isolation. It is a further development of RA, where EM stands for “extra soft”. Suitable for both light and heavy machines.

For normal speeds of approx. 1500 rpm the RAEM type provides a degree of isolation of 85-95%, and gives good isolation with low frequency machines.

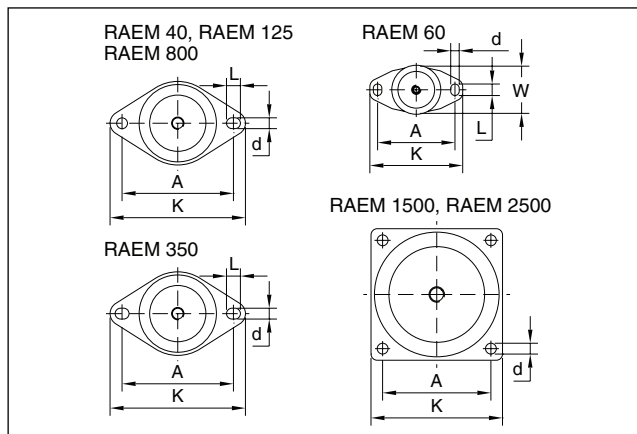
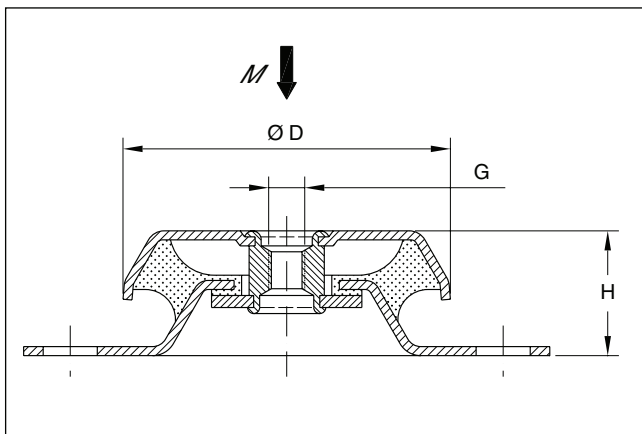
Its unique construction and the latest production methods make Novibra type RAEM a high performance mounting having a number of advantages:

Novibra® type RAEM

For effective isolation of vibration and noise on machines with rotating movements, e.g.

- Compressors
- AC units
- Industrial fans
- Generators
- Combustion engines
- Emergency power sets
- Large milling machinery
- Industrial and marine gen sets
- Refiners
- Defibrators

- Rubber features are utilised effectively combining compression and shear.
- Wide load rating options, 10-3400 kg.
- Corrosion protected to cope with arduous environments on land or marine applications (Fe/Zn8C as per ISO 2081).
- Fitted as standard with an integral fail-safe design with resilient stop, making RAEM ideal for use on mobile applications. The RAEM mounts can accommodate occasional shock loads to 5 g reference to the weight in hardness 60° IRH. The mount will withstand shock loads up to 2 g without plastic deformation.
- Clear and durable product marking so that mountings can be identified even after several years in operation.
- Domed shape cover to protect against oil contamination.



Type	Part no.		Dimensions in mm							Weight (kg)	M-Max(kg)		
	40° IRH	60° IRH	D	A	W	H	K	d	L		G	40° IRH	60° IRH
RAEM 40	10-00122-01	10-00123-01	64	88								30	60
RAEM 60	10-00183-01	10-00184-01	63	100	61	35.5	120	11	15	M12	0.30	60	120
RAEM 125 M10	10-00108-01	10-00109-01	84	110		35.5	135	11	15	M10	0.37	80	180
RAEM 125 M12	10-00168-01	10-00169-01	84	110		35.5	135	11	15	M12	0.37	80	180
RAEM 350 M12	10-00174-01	10-00175-01	110	140-148		42	175	14	18	M12	0.80	200	400
RAEM 350 M16	10-00114-01	10-00115-01	110	140-148		42	175	14	18	M16	0.80	200	400
RAEM 800	10-00120-01	10-00121-01	155	182		54	216	14	18	M16	1.8	450	800
RAEM 1500	10-00158-01	10-00159-01	182	146		85	180	14		M20	3.0	900	1700
RAEM 2500	10-00160-01	10-00161-01	224	180		105.5	220	17.5		M24	4.6	1700	3400