



Features

The MDS mounting is easy to install based on a 2 part single bolt installation. There is no requirement for radius or chamfered installation hole and a steel flange prevents rubber wear at the bracket interface. The bonded steel snubbing cup limits vertical movements and prevents excessive strain in rubber. The cup is encapsulated in rubber to prevent corrosion. A rubber rim holds the lower mount half in the hole during assembly.

- Vertical dynamic snubbing +/- 6 mm.
- Horizontal dynamic snubbing +/- 3 mm.
- Static vertical load range 70-200 kg.
- Deflection at max static load 2.5 mm.
- Axial to radial stiffness ratio 1.5:1.

TRELLEXTREME™ type MDS

The MDS mounting is designed to take high dynamic shock loads but to limit mount movements in all directions, MDS=Multi Directional Snubbing.

In the static working load range, the MDS mounts have linear stiffness characteristics allowing easy prediction of mount deflection and isolation performance. (see fig. 1)

- Typical applications: Engines and small cabs on off-highway vehicles.

TYPICAL STATIC AXIAL (VERTICAL) STIFFNESS MDS 80/3820
(Assembled in pairs, with upper and lower washers 19-20 mm thick plate, 38 mm dia. hole)

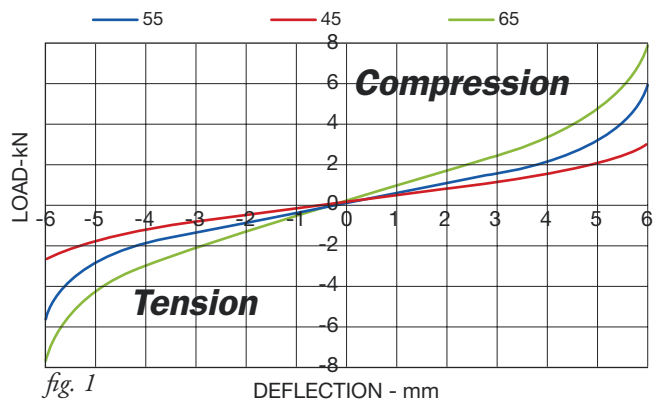
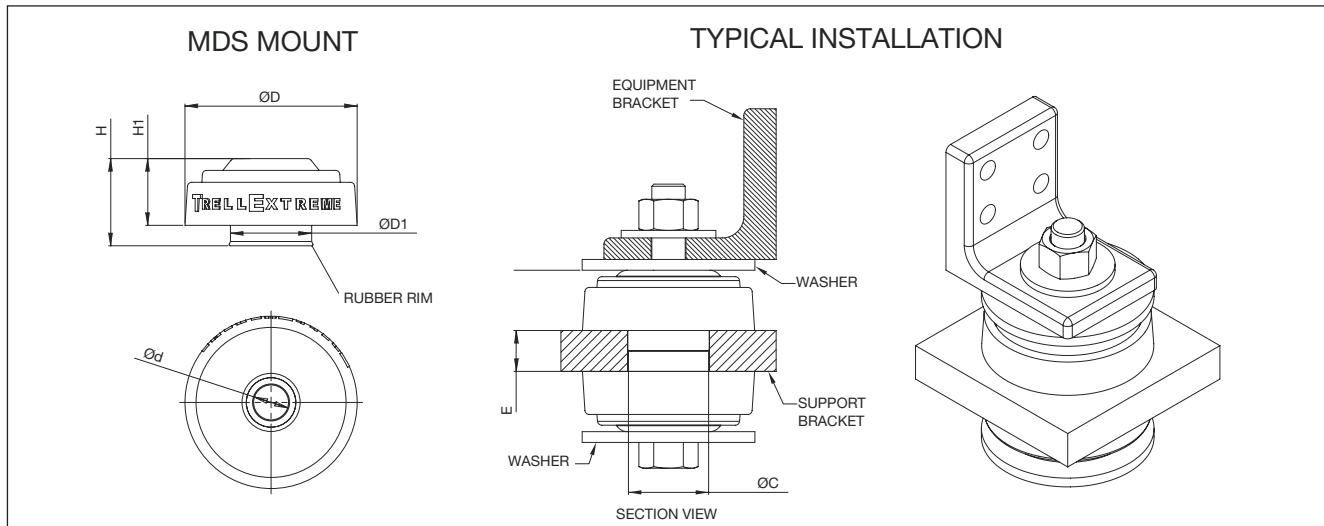


fig. 1



More product and model information are available upon request.

See below table showing our principal sizes and models. Part listed are a selection of a wider range, details of which are available on request. Please contact our Off Highway Applications department for further advise.

Type	Dimension (mm)							Bolt Size	Max. Bolt Torque Nm	Max. Load kg
	d	D	D1	H	H1	C	E			
MDS 80/3820-45	16,2	80	37,8	40,5	31	38	19/20	M16	240	90
MDS 80/3820-55	16,2	80	37,8	40,5	31	38	19/20	M16	240	140
MDS 80/3820-65	16,2	80	37,8	40,5	31	38	19/20	M16	240	200
MDS 66/4020-45	18,8	66	39,8	38	28,5	40	19/20	M16	240	70
MDS 66/4020-55	18,8	66	39,8	38	28,5	40	19/20	M16	240	120
MDS 66/4020-65	18,8	66	39,8	38	28,5	40	19/20	M16	240	170

● 2-piece CR mounting



Features

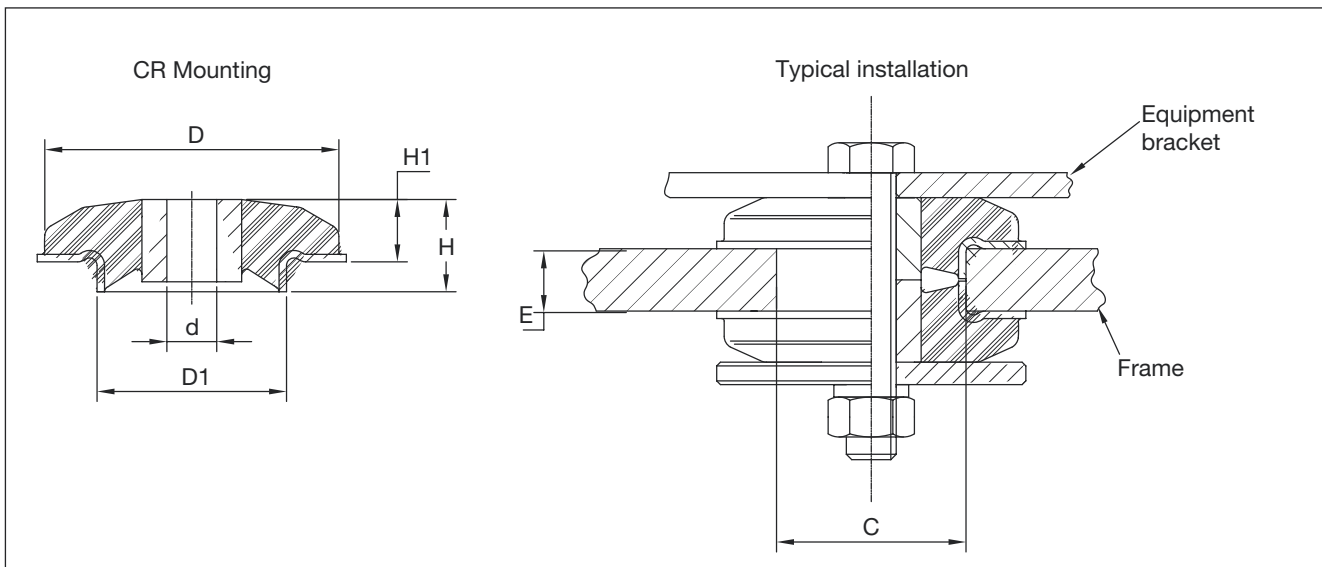
With washer it is a compact fail-safe design easy to fit with a single bolt.

- Integral bonded steel flange prevents rubber wear at interface with bracket.
- No radius or chamfer required for installation hole.
- 2-piece design gives excellent isolation performance and rebound control during shock loading of the vehicle.

CR-Controlled Rebound mounting

A range of mounting designed for high load capacity and low installation height. The high loading for a given size is achieved by utilizing the rubber to best advantage in shear and compression.

- Off-highway engines and Cabs



Type	Part no.	Dimension (mm)							Bolt Size	Max. Bolt Torque Nm	Max. Load kg	Washer Part no.
		D	D1	d	H	H1	E	C ±0,2				
17-2190-45	20-01110-01	65	37,8	16	23,3	15,1	12	37,9	M16	170	75	20-01495-01
17-2190-60	20-01111-01	65	37,8	16	23,3	15,1	12	37,9	M16	170	100	20-01495-01
17-2178-45	20-02506-01	94	55,5	16	28	19	20	56,0	M16	250	115	20-01494-01
17-2178-60	10-03729-01	94	55,5	16	28	19	20	56,0	M16	250	210	20-01494-01
17-1984-45	10-03727-01	100	60	22	38	25,8	25	60,5	M22	500	260	20-01493-01
17-1984-60	10-03728-01	100	60	22	38	25,8	25	60,5	M22	500	400	20-01493-01
17-1931-45	10-00622-01	118	75,5	20	38,3	26,4	25	76,0	M20	500	225	20-01493-01
17-1931-60	10-00623-01	118	75,5	20	38,3	26,4	25	76,0	M20	500	430	20-01493-01
11-1029-45	10-03722-01	115	63	27	45	33,5	25	64,0	M24	700	550	20-00534-01
11-1029-60	10-00793-01	115	63	27	45	33,5	25	64,0	M24	700	900	20-00534-01

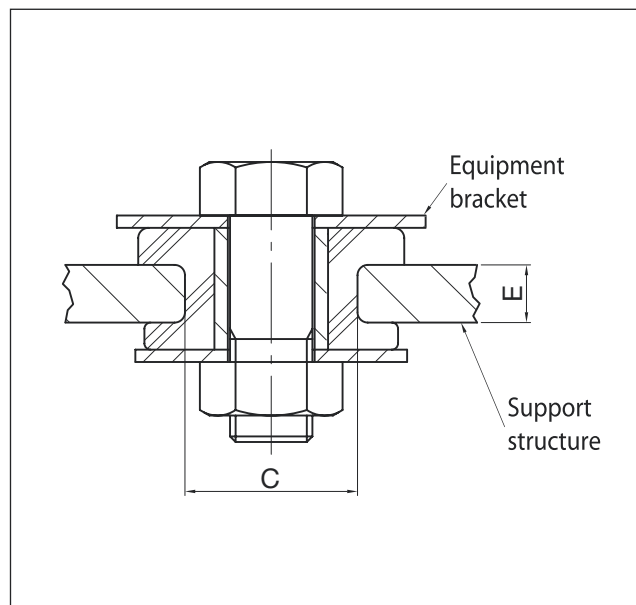
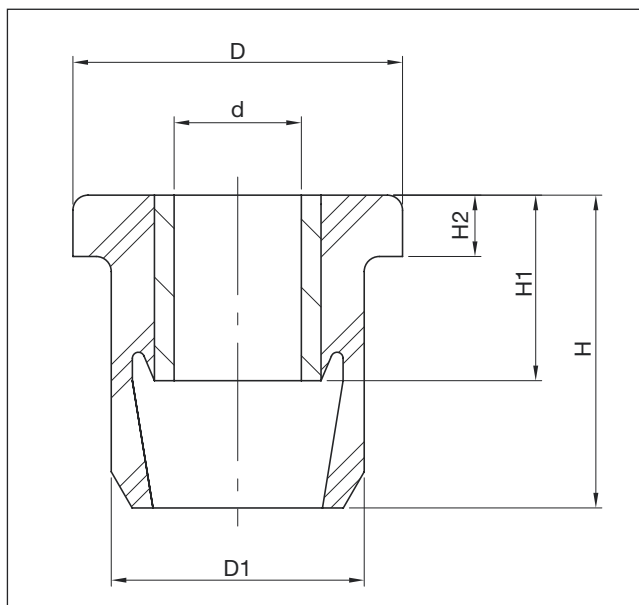
● Mushroom MCR



Features

Mushroom Controlled Rebound-MCR mountings are designed for mobile accessories application such as muffler, radiator, pumps etc. where the disturbing frequencies are high.

- Easy to install, single part mount
- Can be used as resilient mount to take up small bracket and chassis misalignments.
- Provides isolation of high frequency vibrations and shock protection of vehicle mounted equipment.



Type	Part no.	Dimension (mm)										Bolt Size	Max. Bolt Torque Nm	Max. Axial Load kg	Top & Bottom Washer Part no.
		D	d	D1	H	H1	H2	E	C±0,2	R					
MCR 27/1908-45	20-01129-01	27,5	10,0	20,0	25,5	15,5	5,0	8,0	19,0	1,5	M10	30	40	20-00531-01	
MCR 27/1908-60	20-00831-01	27,5	10,0	20,0	25,5	15,5	5,0	8,0	19,0	1,5	M10	30	55	20-00531-01	
MCR 45/2810-45	20-00782-01	45,0	13,0	31,5	32,0	25,0	10,0	10,0	28,5	1,5	M12	50	80	20-00416-01	
MCR 45/2810-60	20-01137-01	45,0	13,0	31,5	32,0	25,0	10,0	10,0	28,5	1,5	M12	50	150	20-00416-01	
MCR 51/3216-45	20-01133-01	51,8	13,5	34,0	41,0	35,0	13,5	16,0	31,8	1,5	M12	50	80	20-00536-01	
MCR 51/3216-60	20-01134-01	51,8	13,5	34,0	41,0	35,0	13,5	16,0	31,8	1,5	M12	50	180	20-00536-01	
MCR 64/3820-45	20-00833-01	64,0	16,0	41,0	50,0	43,0	16,0	20,0	38,0	3,0	M16	135	190	20-01495-01	
MCR 64/3820-60	20-01130-01	64,0	16,0	41,0	50,0	43,0	16,0	20,0	38,0	3,0	M16	135	380	20-01495-01	
MCR 75/4624-45	20-01135-01	75,0	16,0	50,0	56,0	50,0	21,0	23,5	46,0	3,0	M16	135	200	20-00532-01	
MCR 75/4624-60	20-01136-01	75,0	16,0	50,0	56,0	50,0	21,0	23,5	46,0	3,0	M16	135	400	20-00532-01	
MCR 95/5119-45	20-01131-01	95,0	21,0	57,0	63,0	51,0	25,0	19,1	50,8	3,0	M20	135	320	20-00533-01	
MCR 95/5119-60	20-01132-01	95,0	21,0	57,0	63,0	51,0	25,0	19,1	50,8	3,0	M20	135	625	20-00533-01	