

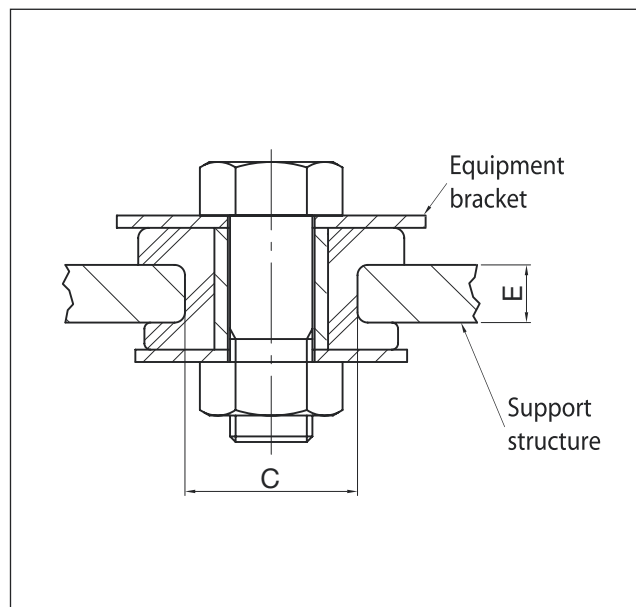
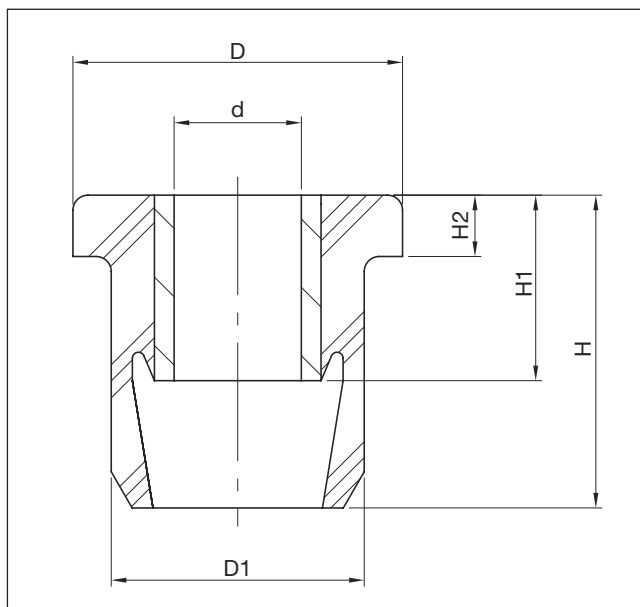
## ● Mushroom MCR



### Features

Mushroom Controlled Rebound-MCR mountings are designed for mobile accessories application such as muffler, radiator, pumps etc. where the disturbing frequencies are high.

- Easy to install, single part mount
- Can be used as resilient mount to take up small bracket and chassis misalignments.
- Provides isolation of high frequency vibrations and shock protection of vehicle mounted equipment.



Type	Part no.	Dimension (mm)										Bolt Size	Max. Bolt Torque Nm	Max. Axial Load kg	Top & Bottom Washer Part no.
		D	d	D1	H	H1	H2	E	C±0,2	R					
MCR 27/1908-45	20-01129-01	27,5	10,0	20,0	25,5	15,5	5,0	8,0	19,0	1,5	M10	30	40	20-00531-01	
MCR 27/1908-60	20-00831-01	27,5	10,0	20,0	25,5	15,5	5,0	8,0	19,0	1,5	M10	30	55	20-00531-01	
MCR 45/2810-45	20-00782-01	45,0	13,0	31,5	32,0	25,0	10,0	10,0	28,5	1,5	M12	50	80	20-00416-01	
MCR 45/2810-60	20-01137-01	45,0	13,0	31,5	32,0	25,0	10,0	10,0	28,5	1,5	M12	50	150	20-00416-01	
MCR 51/3216-45	20-01133-01	51,8	13,5	34,0	41,0	35,0	13,5	16,0	31,8	1,5	M12	50	80	20-00536-01	
MCR 51/3216-60	20-01134-01	51,8	13,5	34,0	41,0	35,0	13,5	16,0	31,8	1,5	M12	50	180	20-00536-01	
MCR 64/3820-45	20-00833-01	64,0	16,0	41,0	50,0	43,0	16,0	20,0	38,0	3,0	M16	135	190	20-01495-01	
MCR 64/3820-60	20-01130-01	64,0	16,0	41,0	50,0	43,0	16,0	20,0	38,0	3,0	M16	135	380	20-01495-01	
MCR 75/4624-45	20-01135-01	75,0	16,0	50,0	56,0	50,0	21,0	23,5	46,0	3,0	M16	135	200	20-00532-01	
MCR 75/4624-60	20-01136-01	75,0	16,0	50,0	56,0	50,0	21,0	23,5	46,0	3,0	M16	135	400	20-00532-01	
MCR 95/5119-45	20-01131-01	95,0	21,0	57,0	63,0	51,0	25,0	19,1	50,8	3,0	M20	135	320	20-00533-01	
MCR 95/5119-60	20-01132-01	95,0	21,0	57,0	63,0	51,0	25,0	19,1	50,8	3,0	M20	135	625	20-00533-01	