

● Equi-frequency Mountings



Features

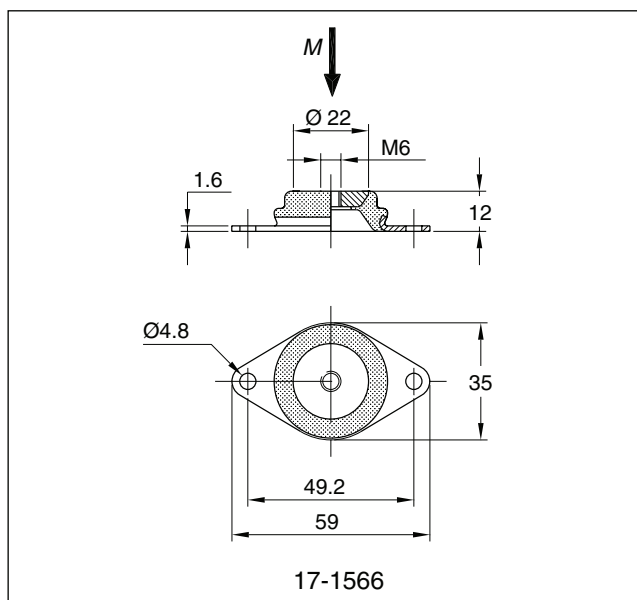
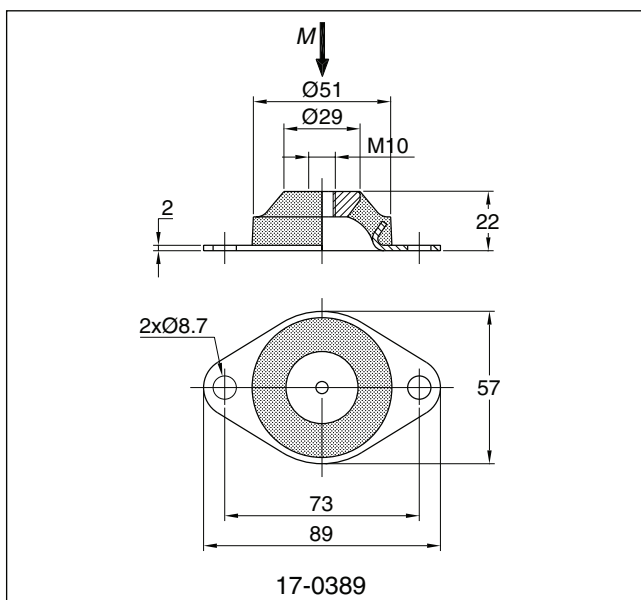
Each design has substantially the same stiffness in vertical and horizontal directions. Load range 11 kg to 54 kg. Can be used as small anti-shock mounting when static loadings are derated.

Metalastik® type Equi-frequency Mounting

General purpose low profile mounting for use where space is restricted. Suitable for stationary applications. May also be used to protect delicate or sensitive equipment from external shock or disturbances.

Typical applications include:

- Instrument panels
- Small fan sets
- Small vacuum pumps
- Small reciprocating engines



Type	Part no.	M-Max (kg)	Weight (kg)
17-1566-45	10-00529-01	11	0.024
17-1566-60	10-00530-01	22	0.024
17-0389-45	10-00406-01	27	0.10
17-0389-60	10-00407-01	54	0.10