

O-Shaped Mount

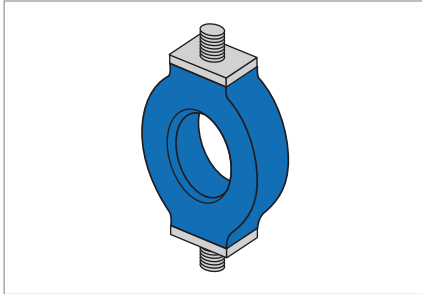


Fig. 1 O-Shaped Mount

Product description

O-shaped mounts have a very soft spring characteristic and are therefore commonly referred to as low-frequency mounts.

Product advantages

- Reduced transmission of structure-borne noise
- Compact
- Deformable in various planes
- Easily installed
- RoHS-compliant.

Application

O-shaped mounts are of a design that enables good vibration insulation for the loads that typically occur in instrumentation and control applications.

Material

Standard material	Hardness
Natural rubber NR 11	40, 45, 60 Shore A
Acrylonitrile-butadiene rubber NBR 68	60 Shore A
Ethylene-propylene rubber EPDM 22	60 Shore A

Operating conditions

Axial forces	20 N ... 215 N	Maximum permissible force
Max. temperature	up to +60 °C transient up to +80 °C for NR 11	
Min. temperature	-45 °C for NR 11	

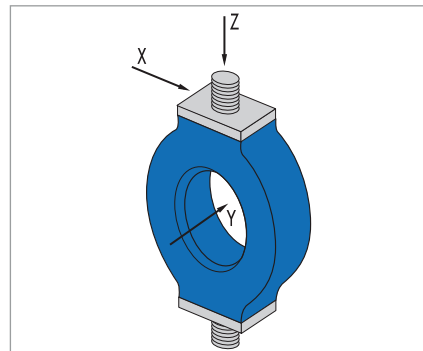


Fig. 2 Primary load directions

The spring characteristic of the O-shaped mount increases in the order X, Y and Z, whereby depending on the orientation, an optimal vibration insulation can be achieved. The primary load direction is the longitudinal axis of the threaded studs (Z direction).

Design notes

The component consists of a ring-shaped elastomer body with each flat vulcanised to securing plates with screws.

Fitting & installation

- Individual components permit slight adjustment to allow for in-situ offset
- The form of the boreholes to accommodate the threaded studs must be compliant with DIN EN 20273
- The securing plates must be in full-surface contact with the mating faces.

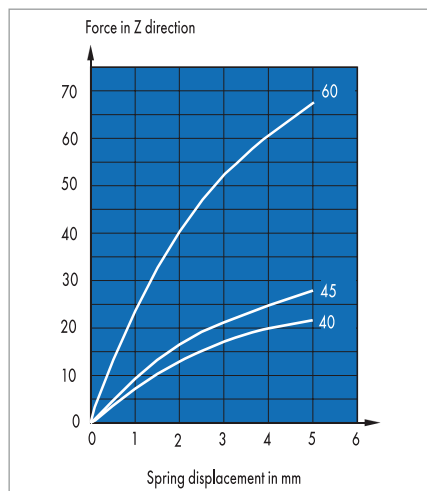


Fig. 3 Spring characteristic
O-Shaped Mount 055 18 001

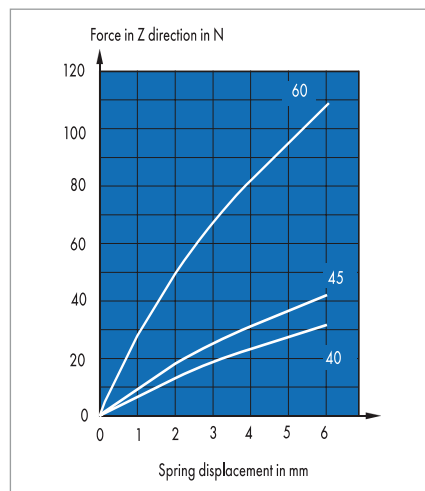


Fig. 4 Spring characteristic
O-Shaped Mount 055 18 002

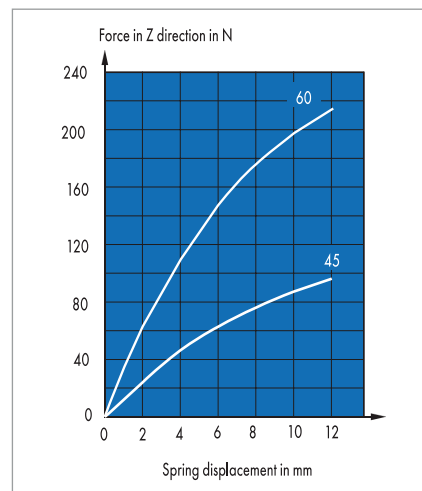


Fig. 5 Spring characteristic
O-Shaped Mount 055 18 003

Article list

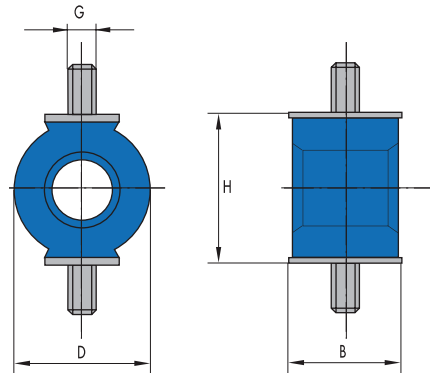


Fig. 6 O-Shaped Mount

Nominal maxima			Stiffness			Nominal maxima			Stiffness			Nominal maxima			Stiffness			Width	Length	Height	Threads	Product No.	Material	Article No.	
Axial pressure			Radial shear			Radial shear			B	D	H	G	B	D	H	G	B	D	H	G					
F _{z max}	S _{z max}	c _z	F _{x max}	S _{x max}	c _x	F _{y max}	S _{y max}	c _y													F _{y max}				
[N]	[mm]	[N/mm]	[N]	[mm]	[N/mm]	[N]	[mm]	[N/mm]	[N]	[mm]	[N/mm]	[N]	[mm]	[N/mm]	[N]	[mm]	[N/mm]	[mm]	[mm]	[mm]	[mm]	[mm]	[mm]		
20	4	5,0	4,5	4	1,1	9,5	4	2,4	15	14	18	M 4 X 7	5518 001	40 NR 11	96740	●									
25	4	6,3	6,0	4	1,5	12,0	4	3,0	15	14	18	M 4 X 7	5518 001	45 NR 11	96741	○									
60	4	15,0	14,5	4	3,6	28,0	4	7,0	15	14	18	M 4 X 7	5518 001	60 EPDM 22	49023643	●									
60	4	15,0	14,5	4	3,6	28,0	4	7,0	15	14	18	M 4 X 7	5518 001	60 NBR 68	49023642	●									
60	4	15,0	14,5	4	3,6	28,0	4	7,0	15	14	18	M 4 X 7	5518 001	60 NR 11	96761	●									
32	6	5,3	13,0	8	1,6	20,0	8	2,5	22	25	30	M 5 X 10	5518 002	40 NR 11	96757	●									
40	6	6,7	17,0	8	2,1	25,0	8	3,1	22	25	30	M 5 X 10	5518 002	45 NR 11	96755	●									
110	6	18,3	35,0	8	4,4	70,0	8	8,8	22	25	30	M 5 X 10	5518 002	60 NR 11	96742	●									
95	12	7,9	27,0	10	2,7	50,0	10	5,0	28	36	38	M 6 X 9,5	5518 003	45 NR 11	96743	●									
215	12	17,9	55,0	10	5,5	110,0	10	11,0	28	36	38	M 6 X 9,5	5518 003	60 NR 11	96750	●									
60	4	15,0	14,5	4	3,6	28,0	4	7,0	28	36	38	M 6 X 14,5	5518 016	60 NR 11	96747	●									
215	12	17,9	55,0	10	5,5	110,0	10	11,0	28	36	38	M 6 X 9,5/18	5518 023	60 NR 11	90150	●									
215	12	17,9	55,0	10	5,5	110,0	10	11,0	28	36	38	M 6 X 15	5518 700	60 NR 11	500640	●									
215	12	17,9	55,0	10	5,5	110,0	10	11,0	28	36	38	M 6 X 15	5518 700	60 EPDM 22	49002215	●									
110	6	18,3	35,0	8	4,4	70,0	8	8,8	22	25	30	M 5 X 10	5518 703	60 EPDM 22	477967	○									

● Available from stock ○ On request: Tool is available, delivery at short notice